

PAPER CRAFT
<http://www.canon.com/c-park/en/>



Front



Over look



Side



Underside



Vietnam Airlines AIRBUS320

This model is based on the "Vietnam Airlines AIRBUS320," a passenger aircraft manufactured by Airbus and operated by Vietnam Airlines.

The AIRBUS320's flight path links 16 Vietnamese cities with 27 cities around the world. Passengers can enjoy everything from domestic flights within Vietnam, to sojourns to exotic Indochina locations such as the neighboring Cambodia, famous for the Angkor Wat temples, and the treasure trove of world heritage sites that is Laos, or even venture to other parts of South East Asia, Europe, Australia, etc.

The airplane's body displays Vietnam Airlines' logo, the lotus flower. Onboard, passengers are greeted by flight attendants dressed in the traditional Vietnamese "Aozai" garment.

The AIRBUS320 features an overall length of 37.57m and is 11.76m high, with a wingspan of 34.10m. With a maximum take-off weight of 77 tons and an economical cruising speed of 877 km/h (when at an altitude of 10668m), it can cover distances of up to 5,550 km.



Completed Model (Total length) About 520mm (Scale About 1:72)
 (Total width) About 468mm

Pattern 19 pages (No. of Parts: 296)
 Assembly Instructions 20 pages

This model was designed for Papercraft and may differ from the original in some respects.

*Build the model by carefully reading the Assembly Instructions, in the parts sheet page order.

Assembly Process

Attach the parts in order.

1 ~ 286 No. of Parts

You can choose to make either a grounded style (with wheels) or an in-flight style (without wheels) aircraft.

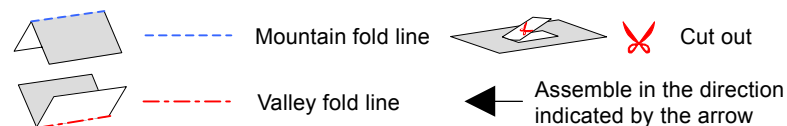
***Glue, scissors and other tools may be dangerous to young children so be sure to keep them out of the reach of young children.**

Assembly Tip

- Small pieces will be easier to cut out if you fold along the lines first. Cut them out after you have folded them.
- Before gluing each piece, be sure to compare its shape to the corresponding surface to ensure it is the correct piece.

Folds & Marks

Trace along the folds with a ruler and a used pen (no ink) to get a sharper, easier fold.



Glue spot

Each glue spot has a mark indicating how to attach it.

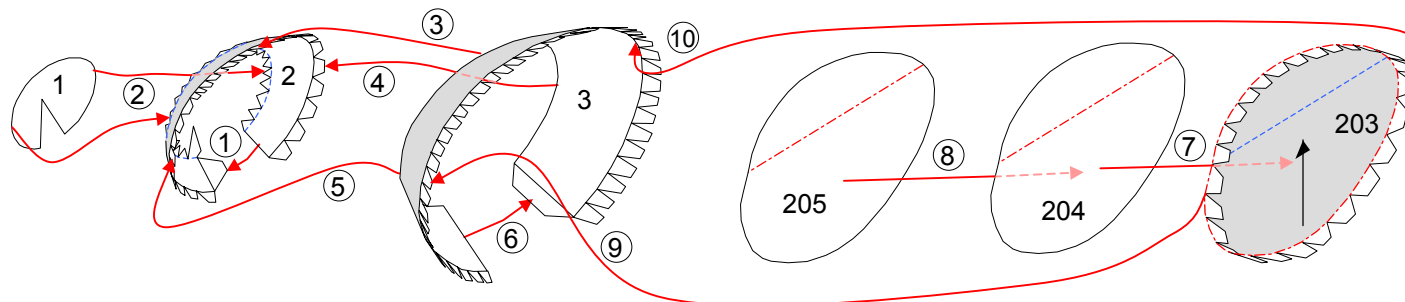
- Glue to the rear of the other part
- ▲ Glue within the same part
- Glue the rear of this part

Tools

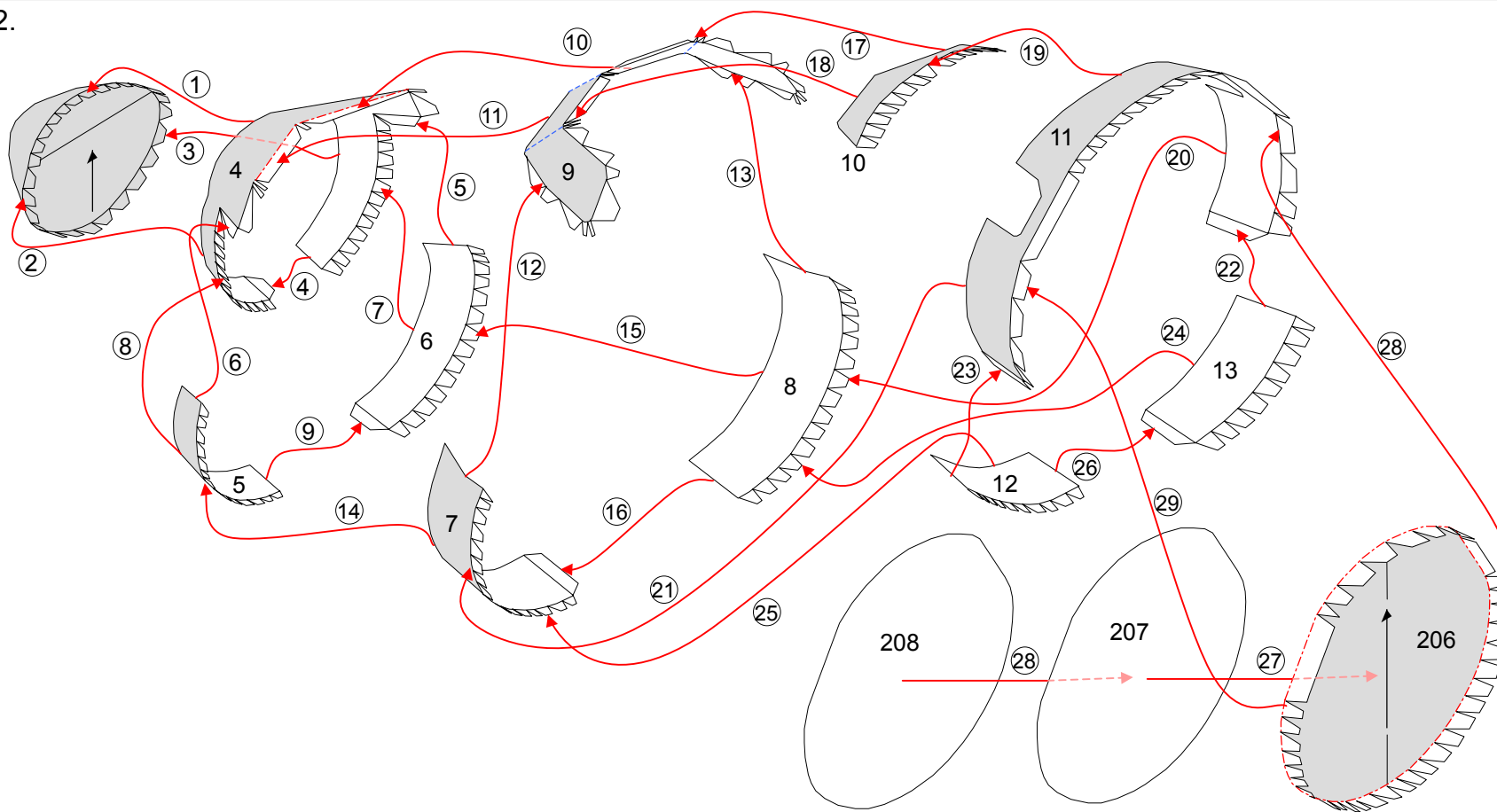
Scissors, glue (We recommend craft glue), ruler, tweezer, stencil pen, used pen (no ink).



1.



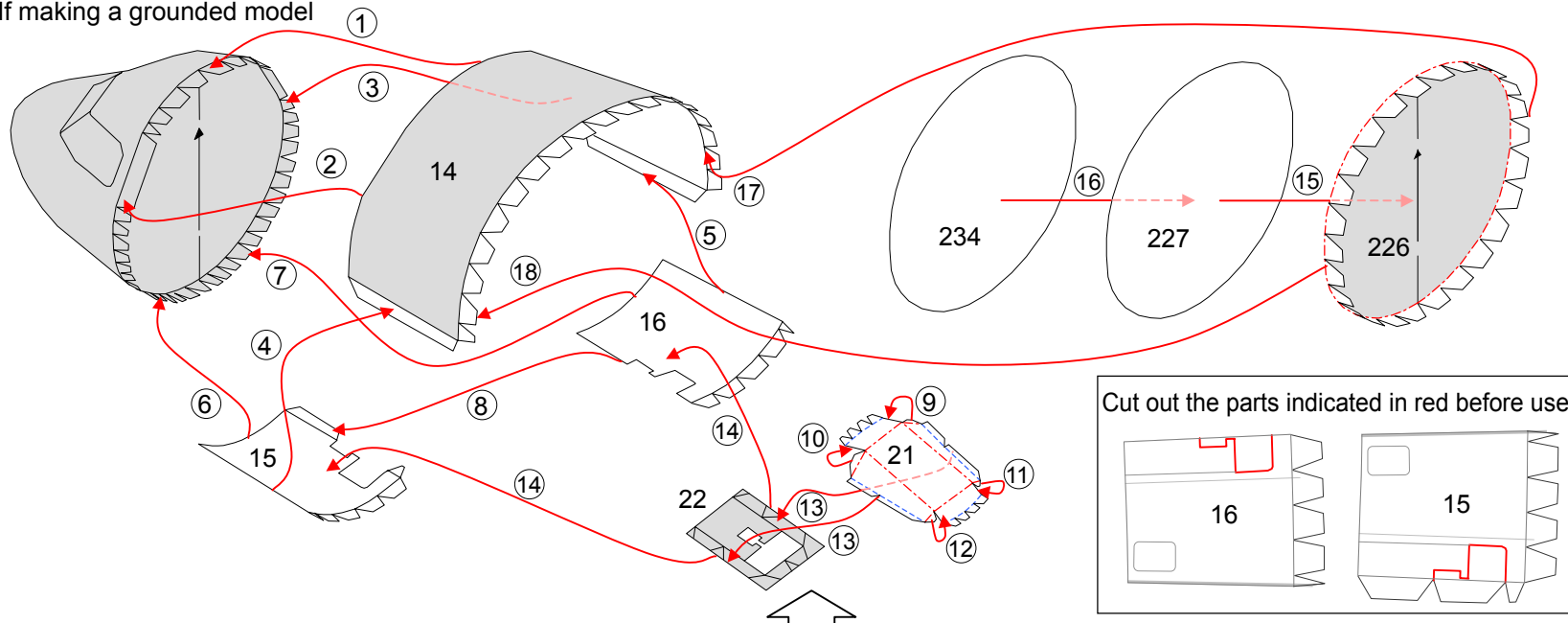
2.



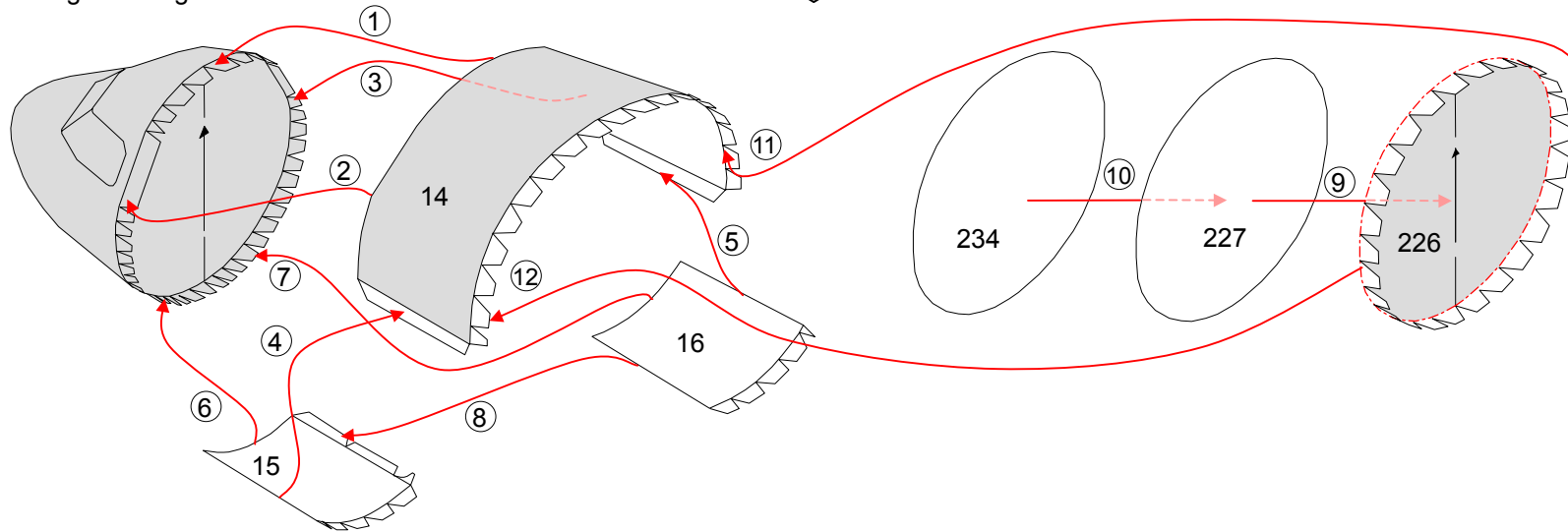


3. Choose whether to make a grounded model or in-flight model.

If making a grounded model

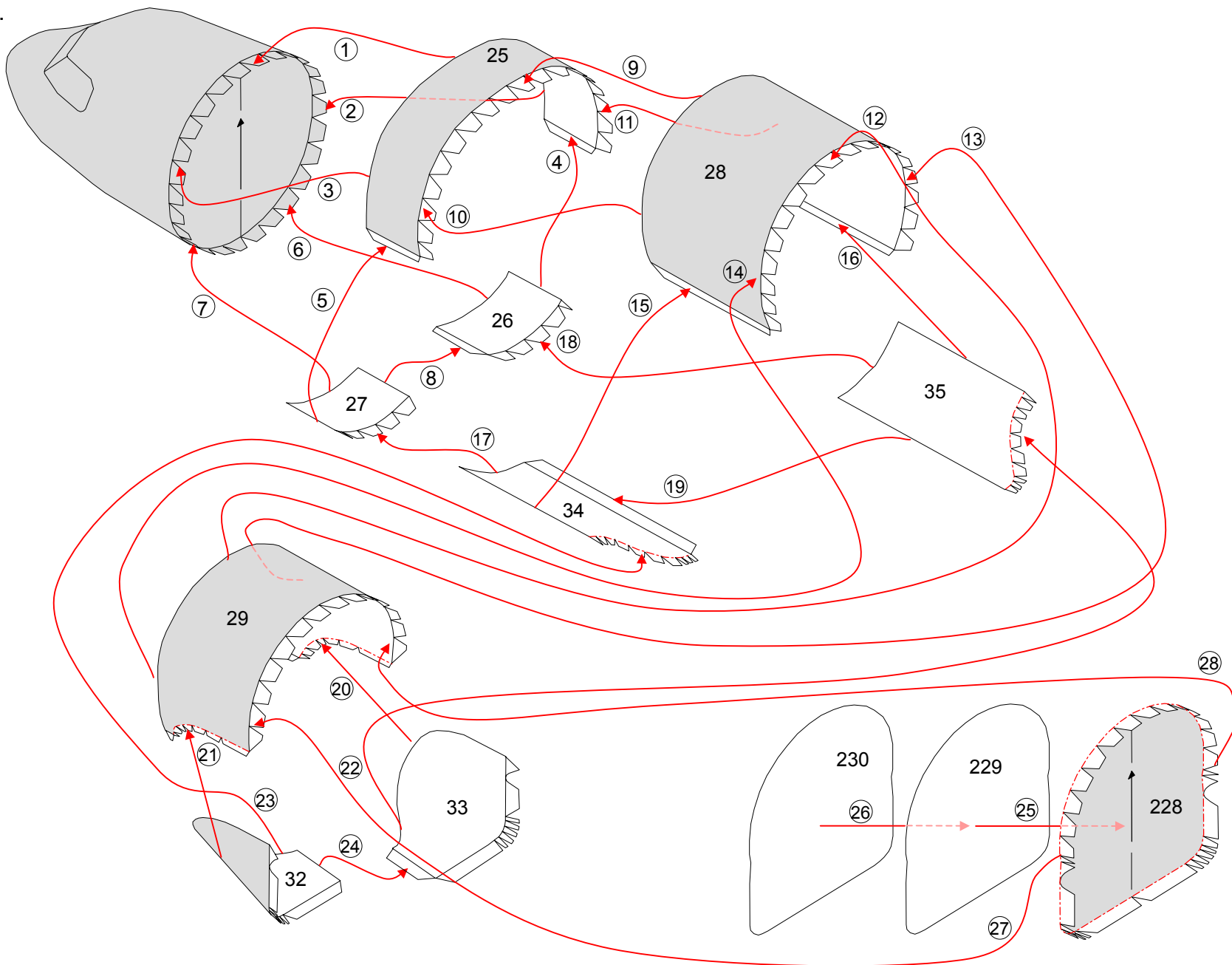


If making an in-flight model



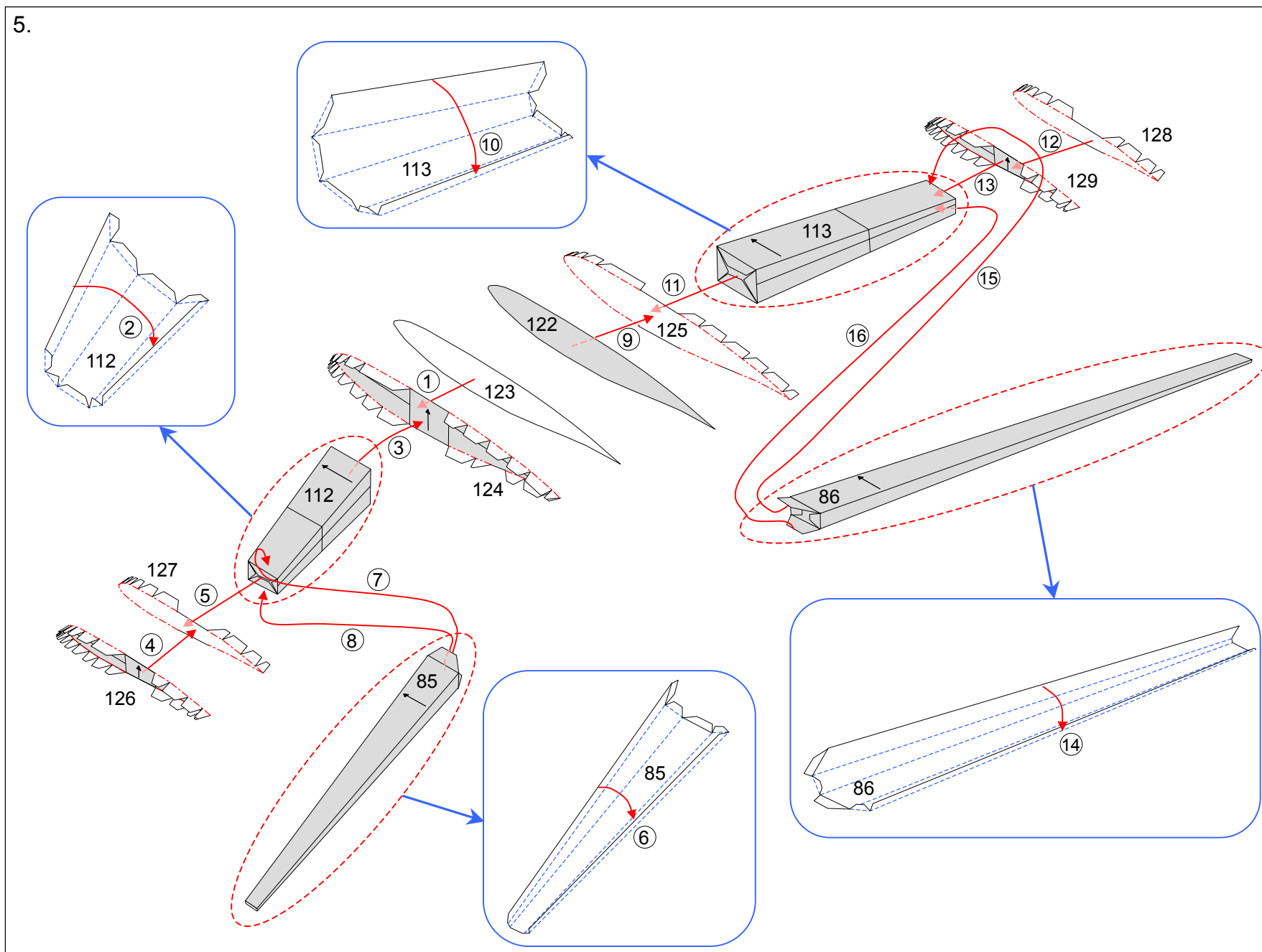


4.



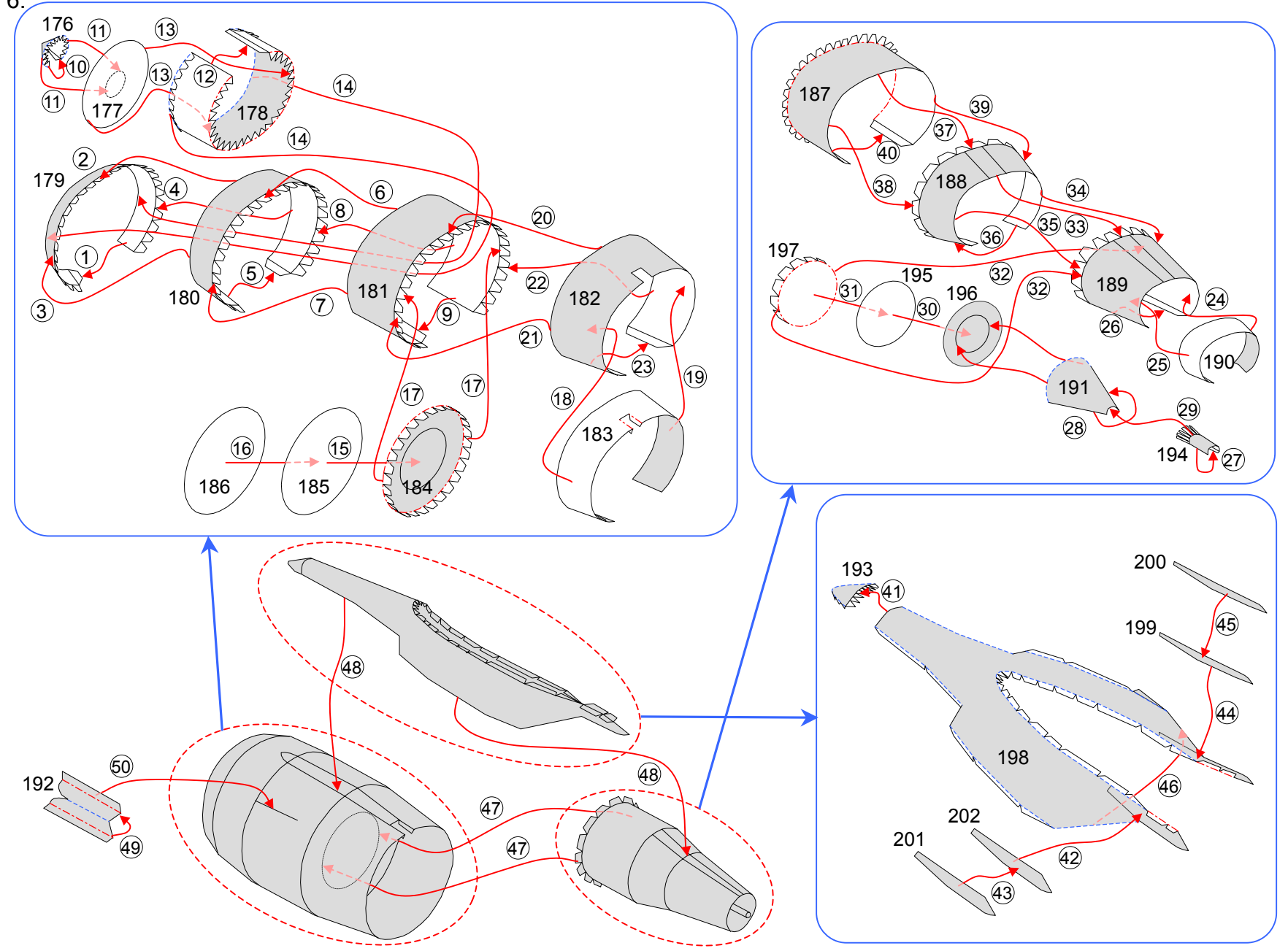


5.



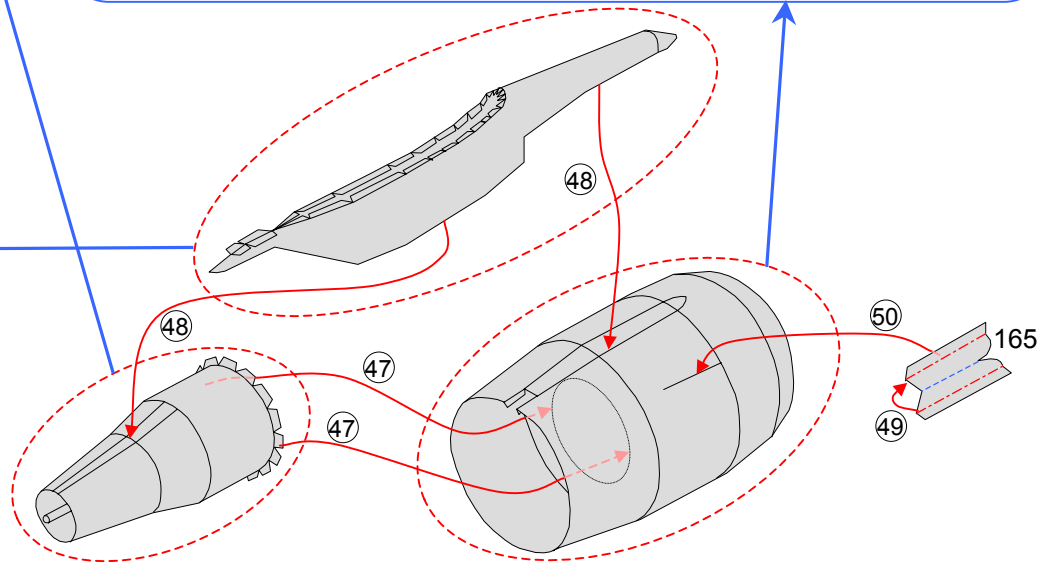
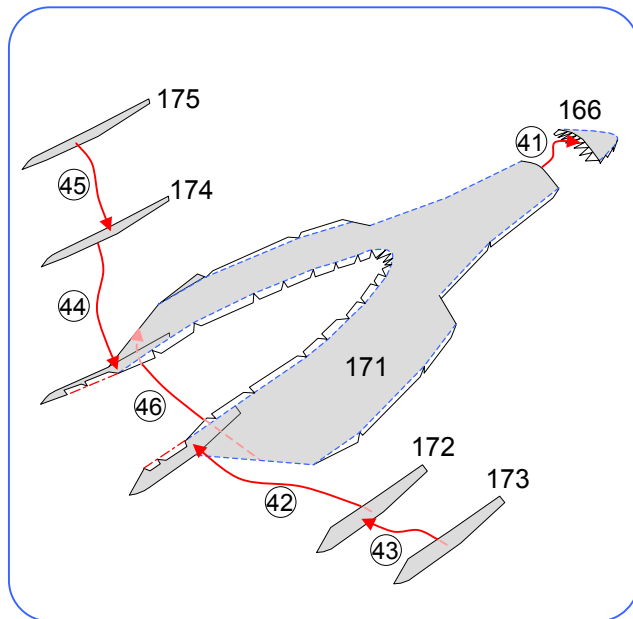
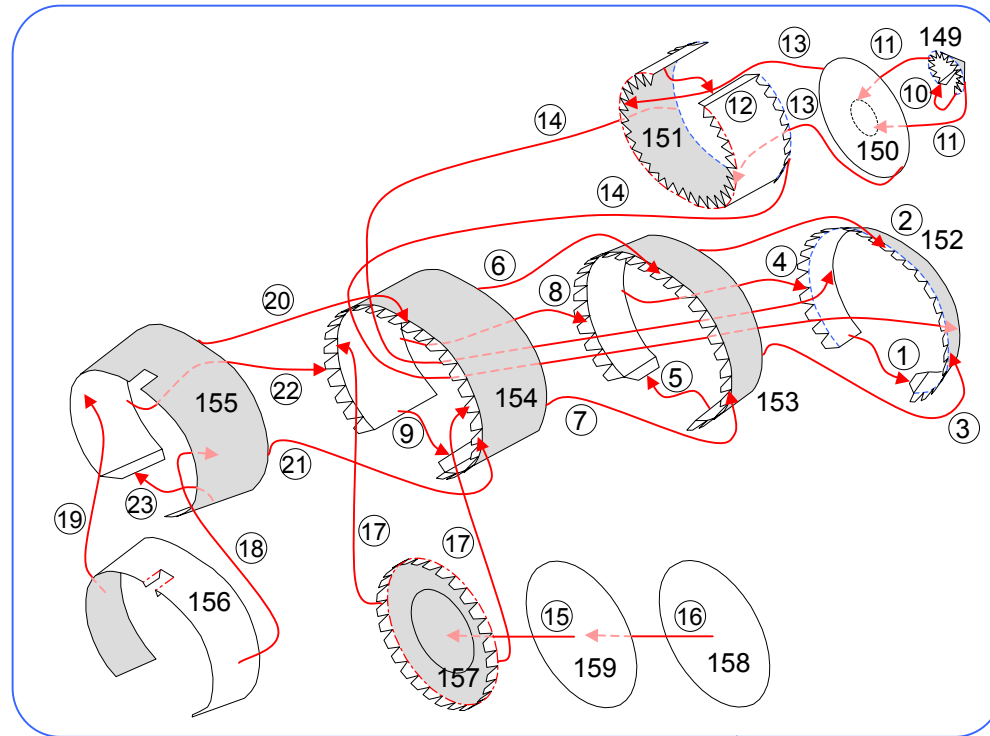
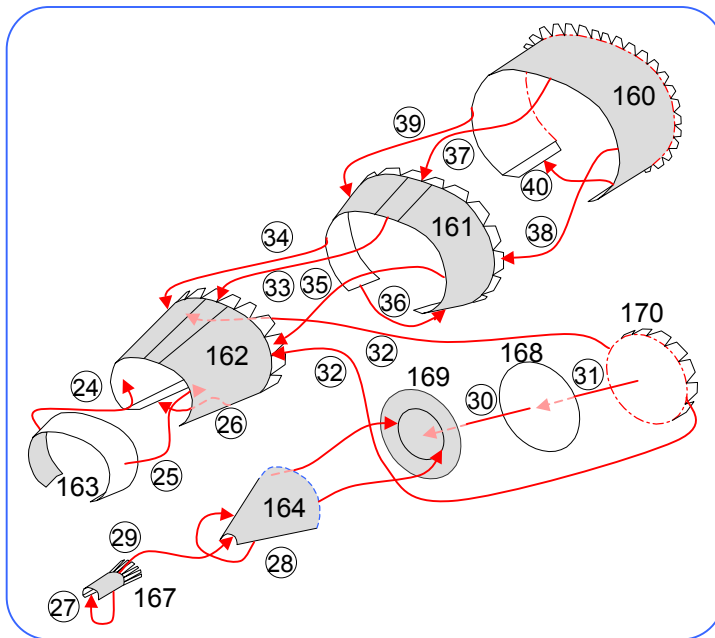


6.



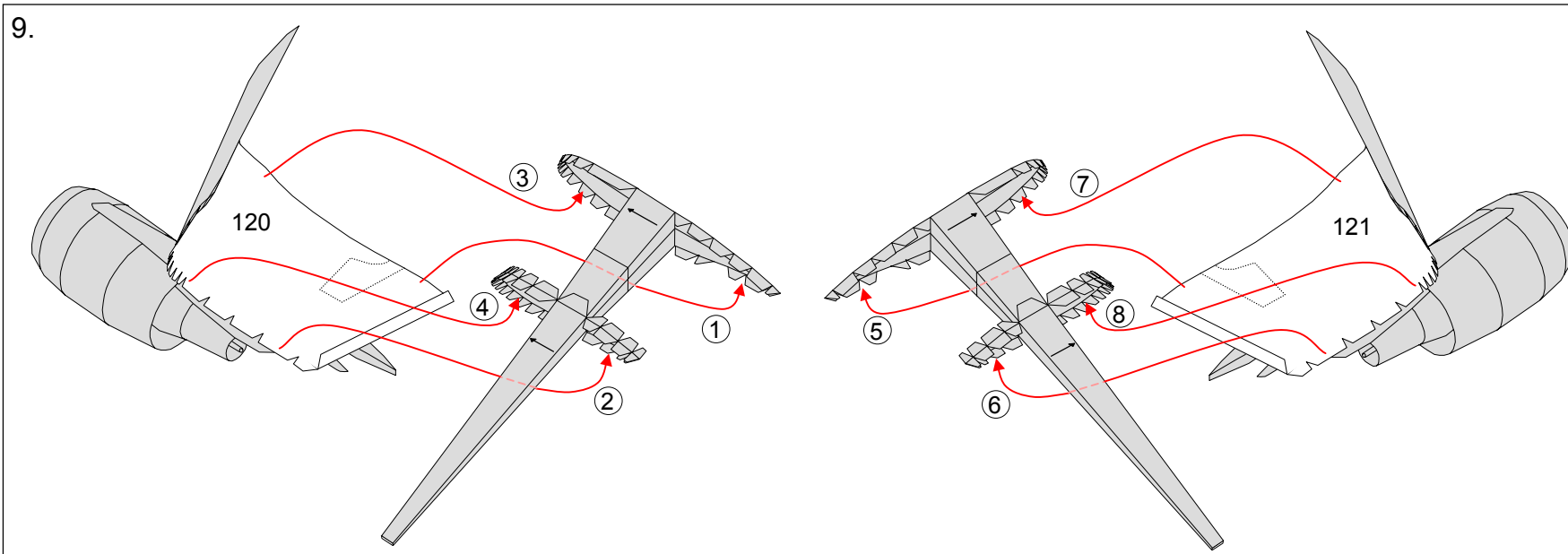
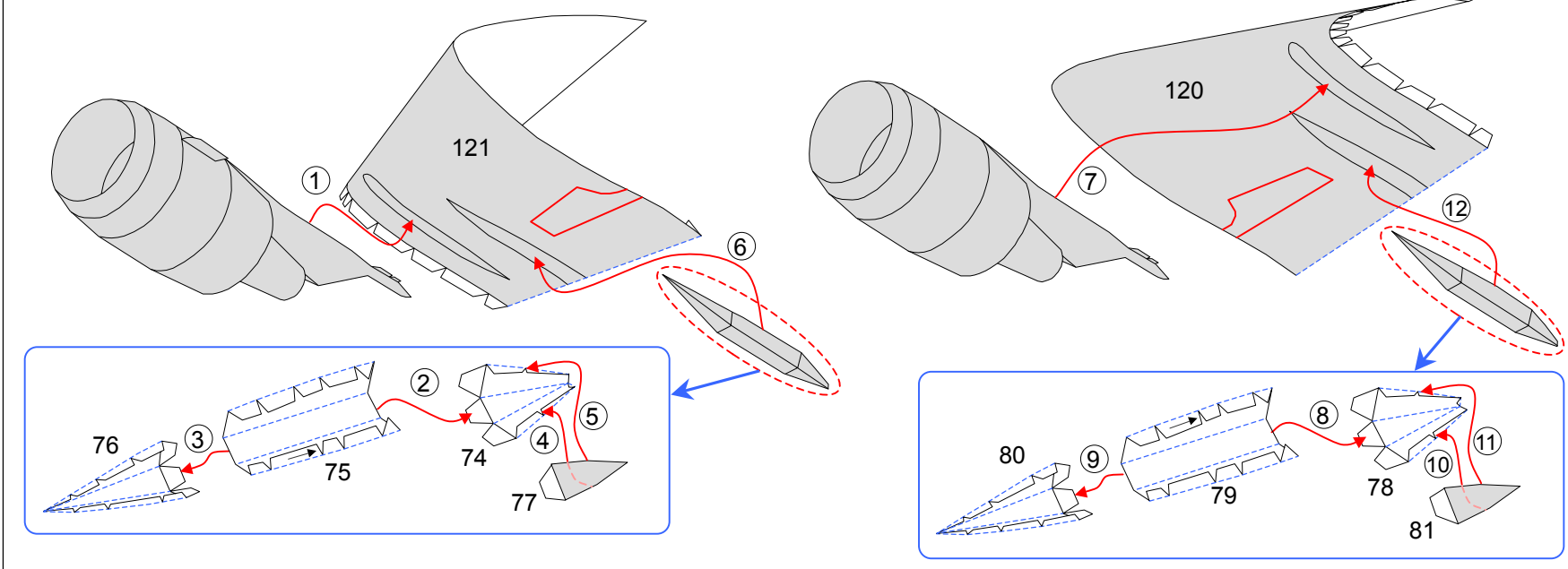


7.





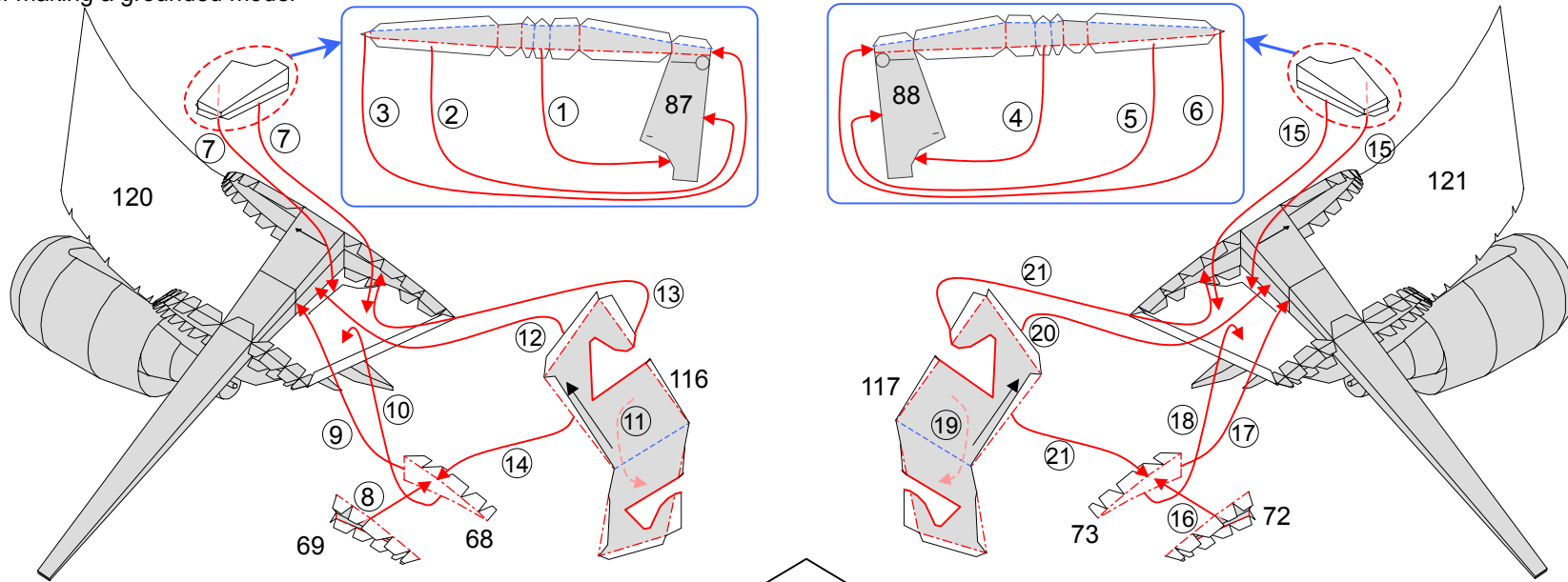
8. If making an in-flight model, cut out and remove the areas of parts 120 and 121 indicated in red.



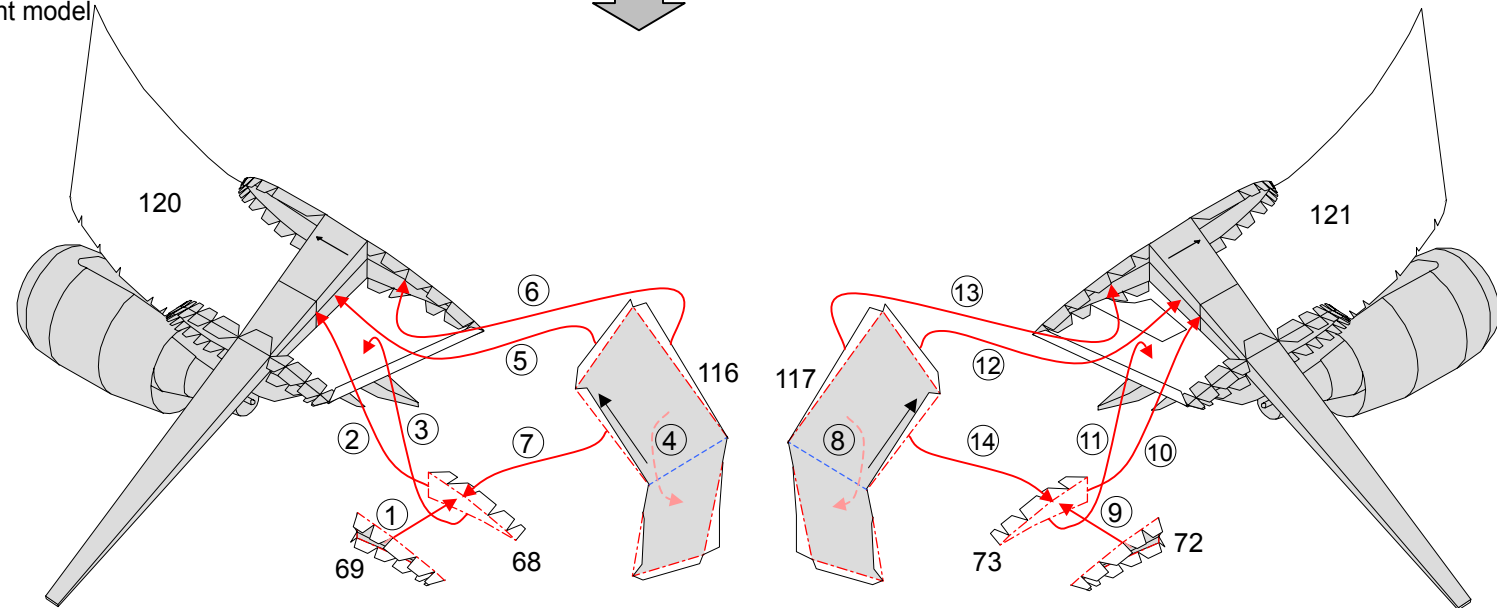


10. Choose whether to make a grounded model or in-flight model.

If making a grounded model

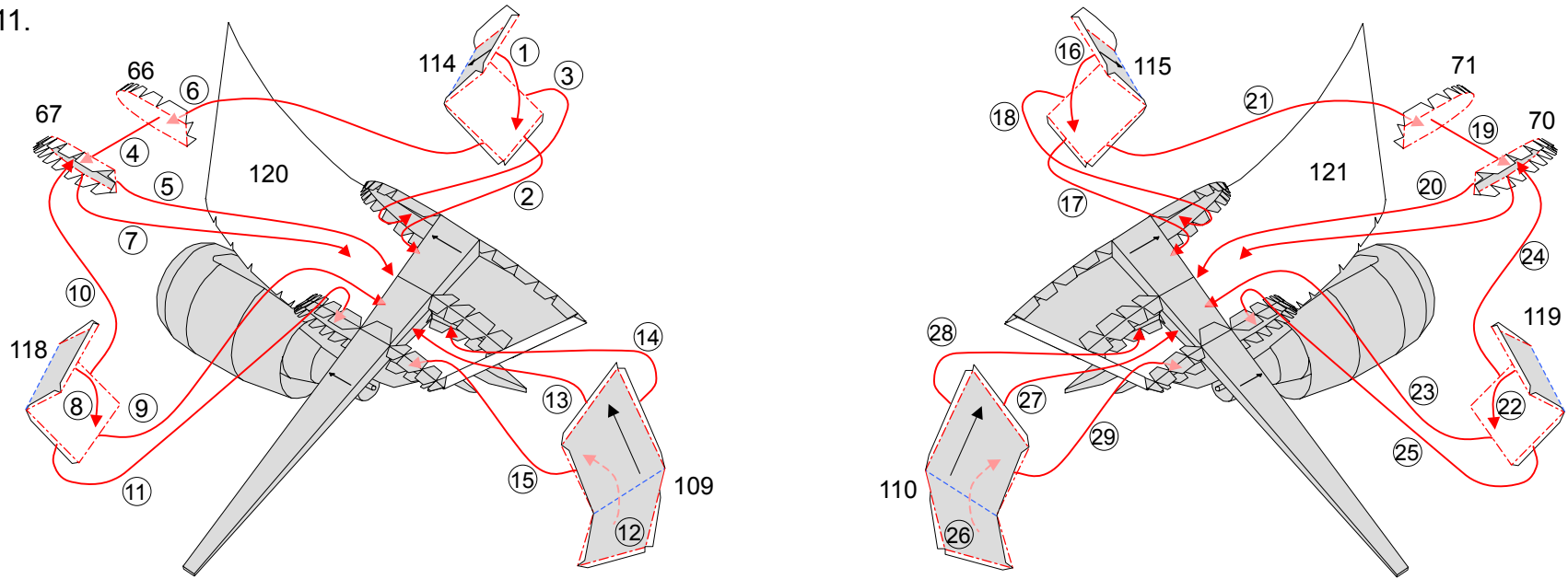


If making an in-flight model

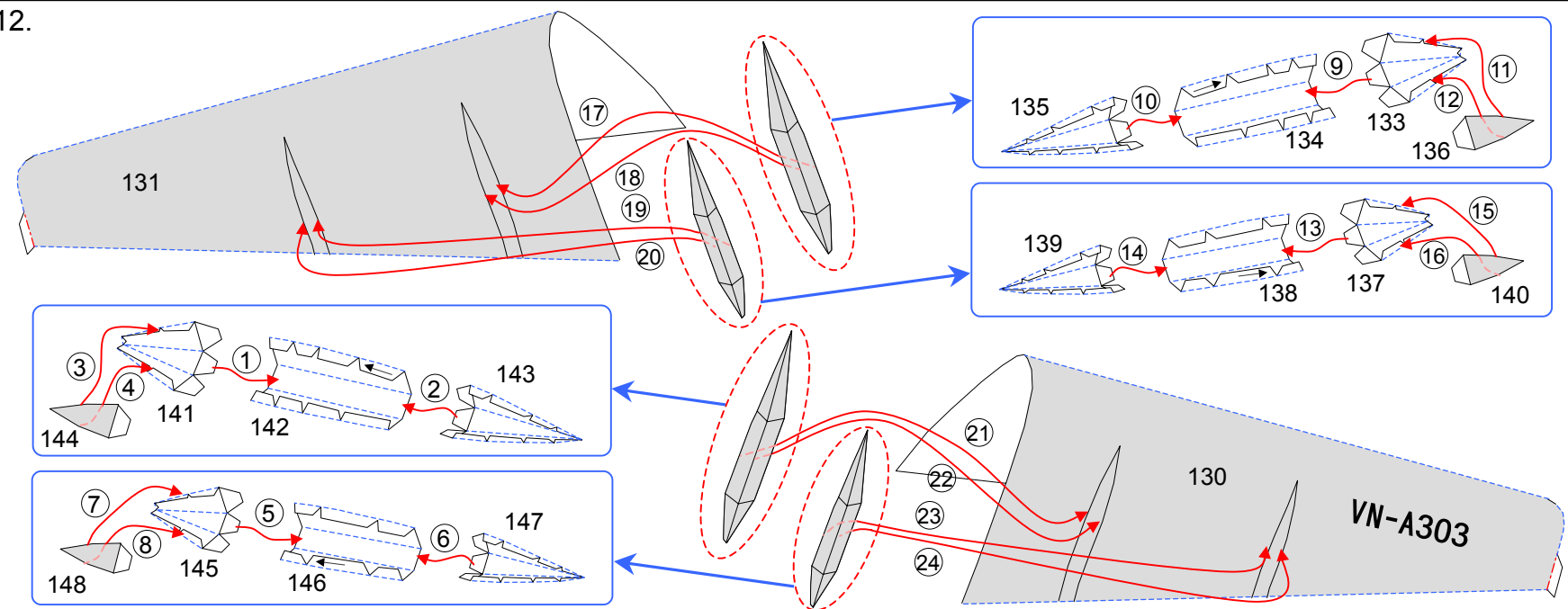




11.

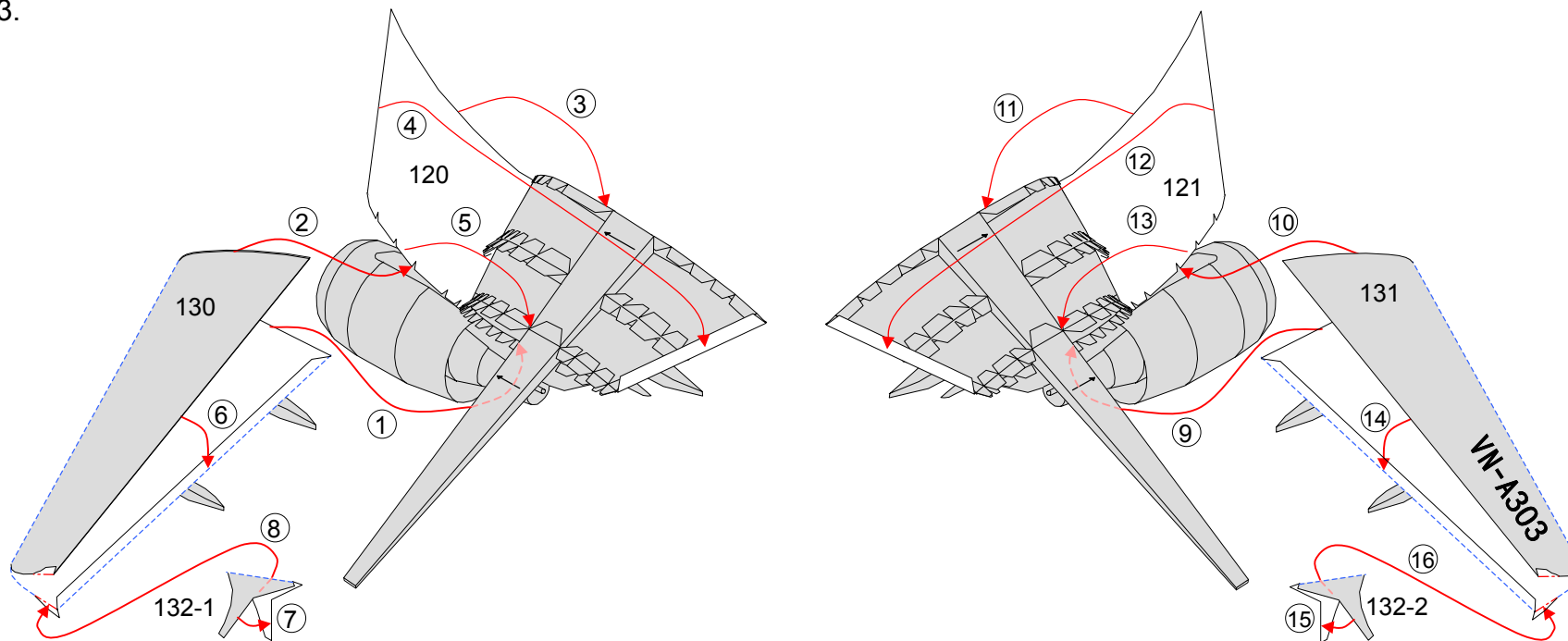


12.

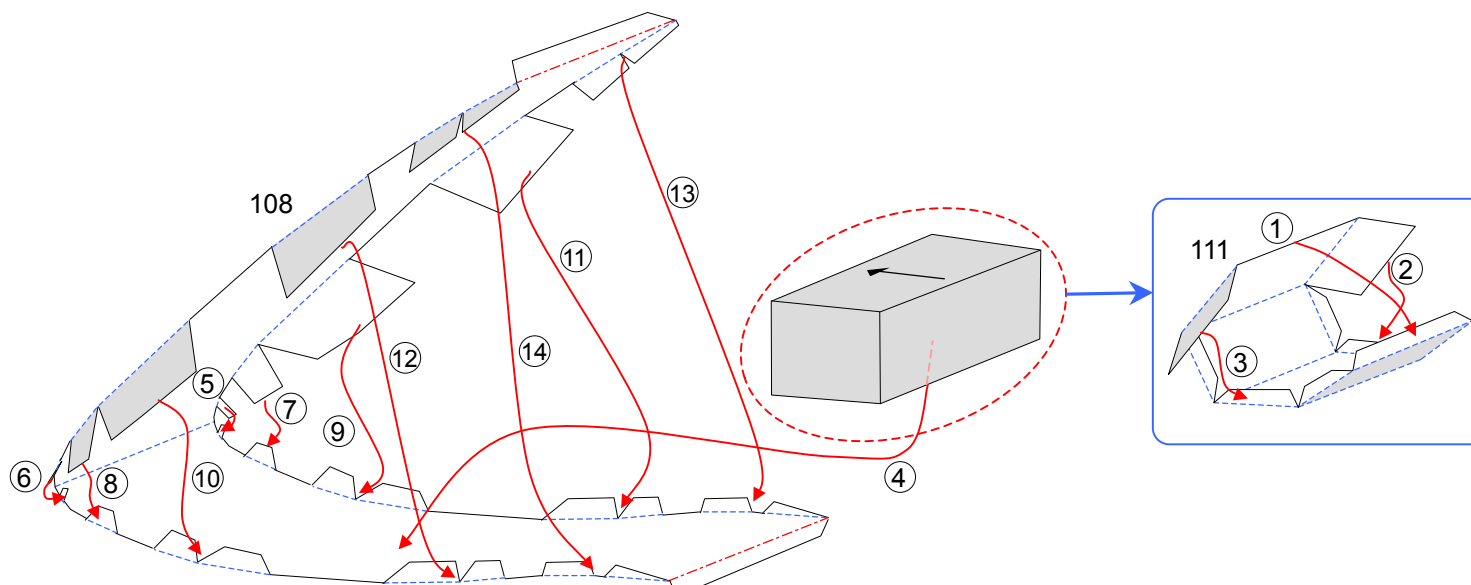




13.

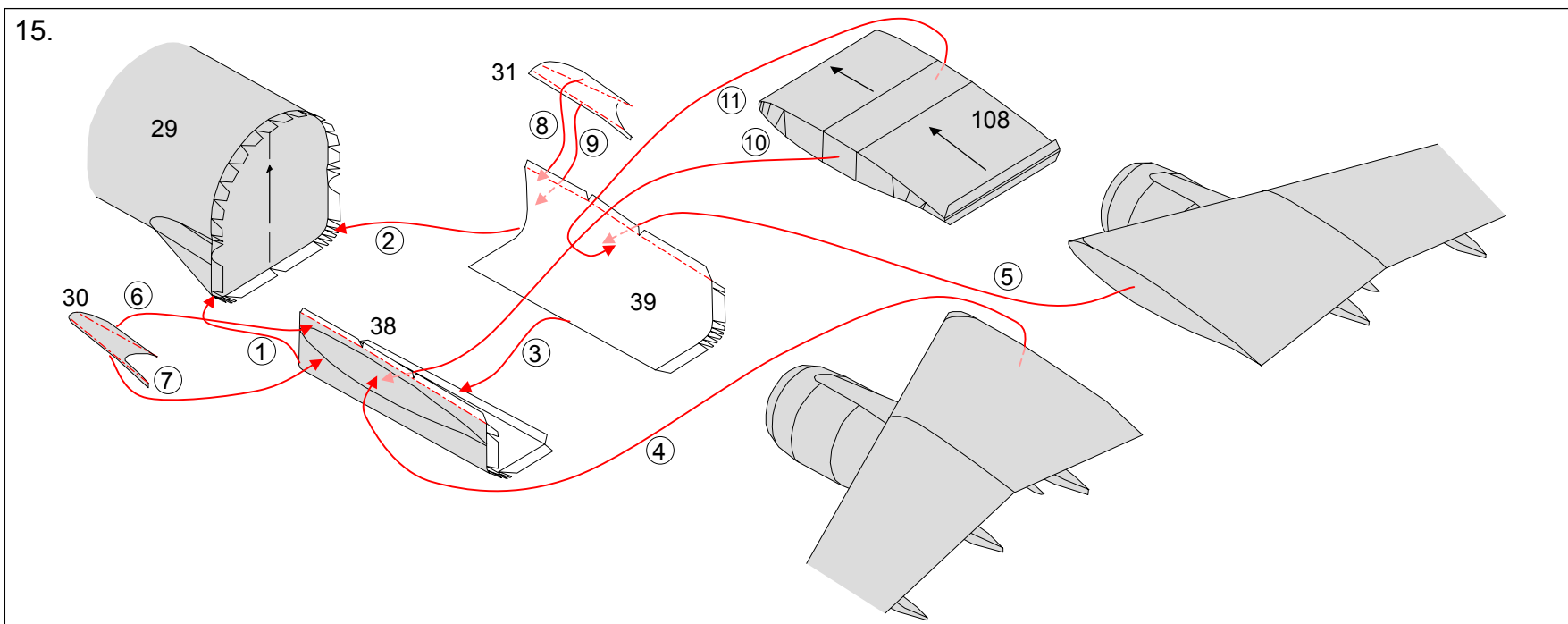


14.

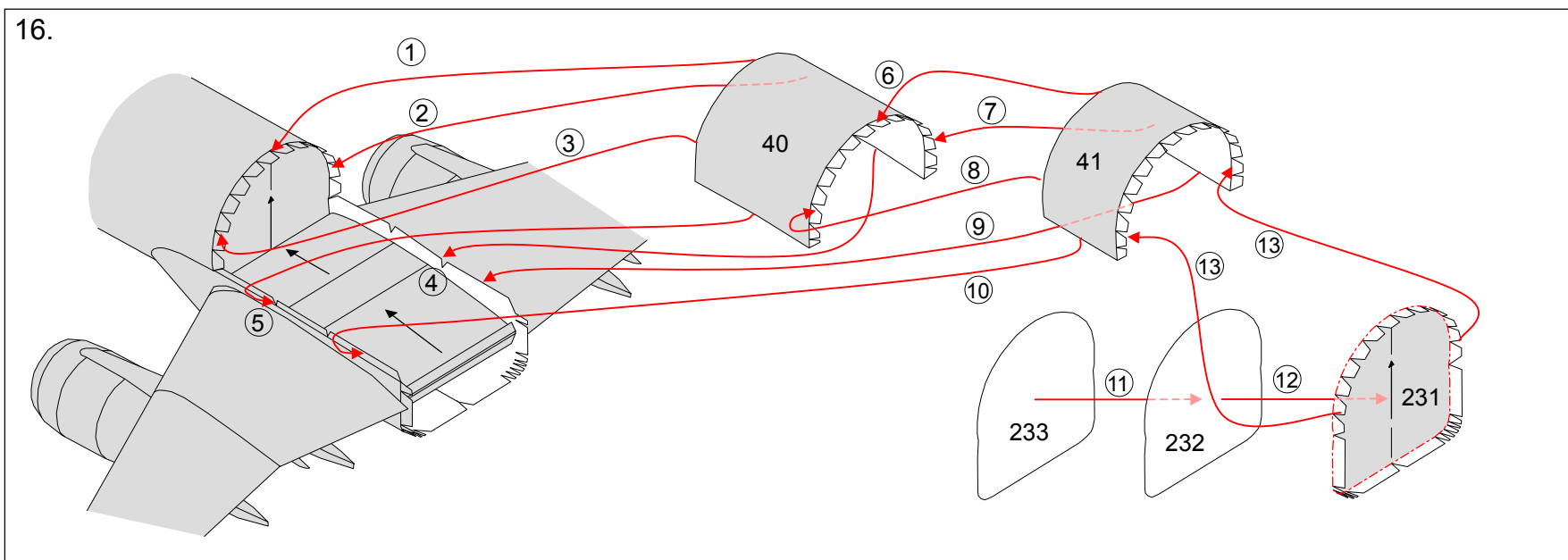




15.

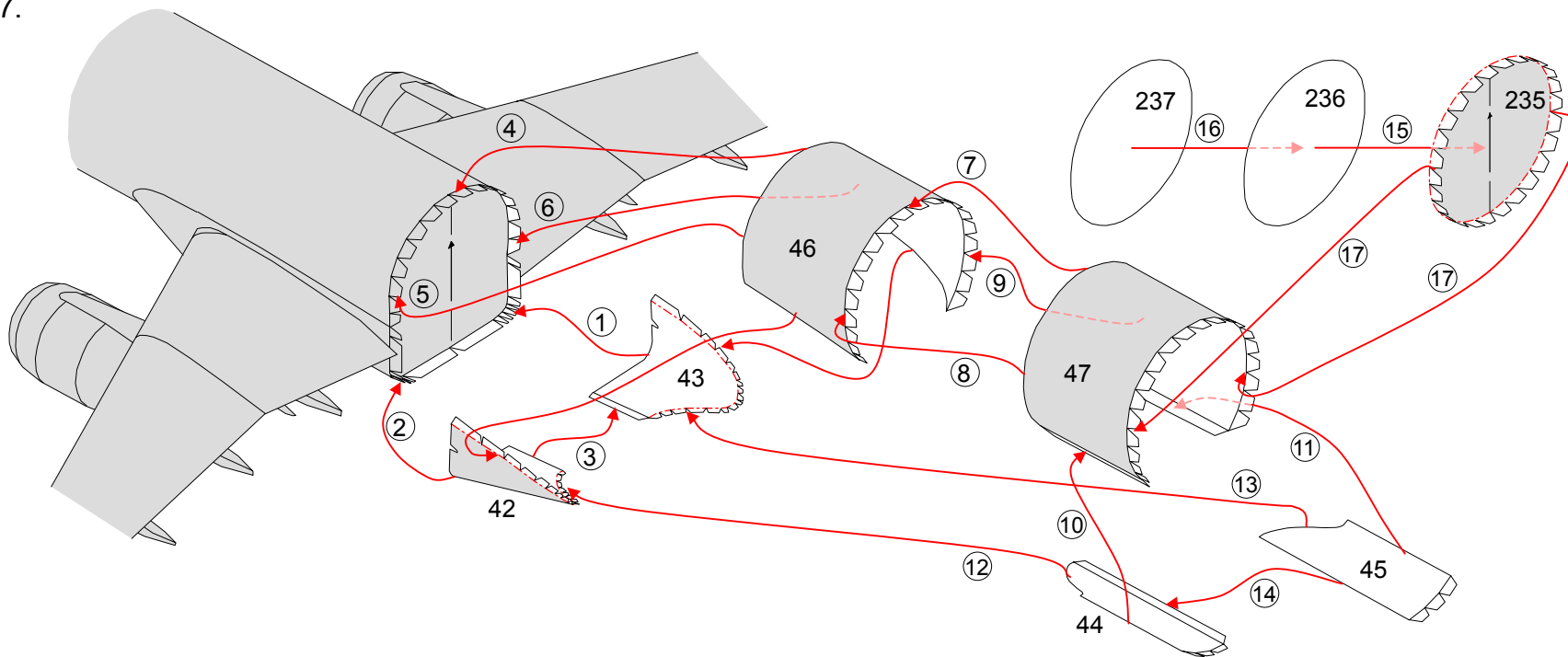


16.

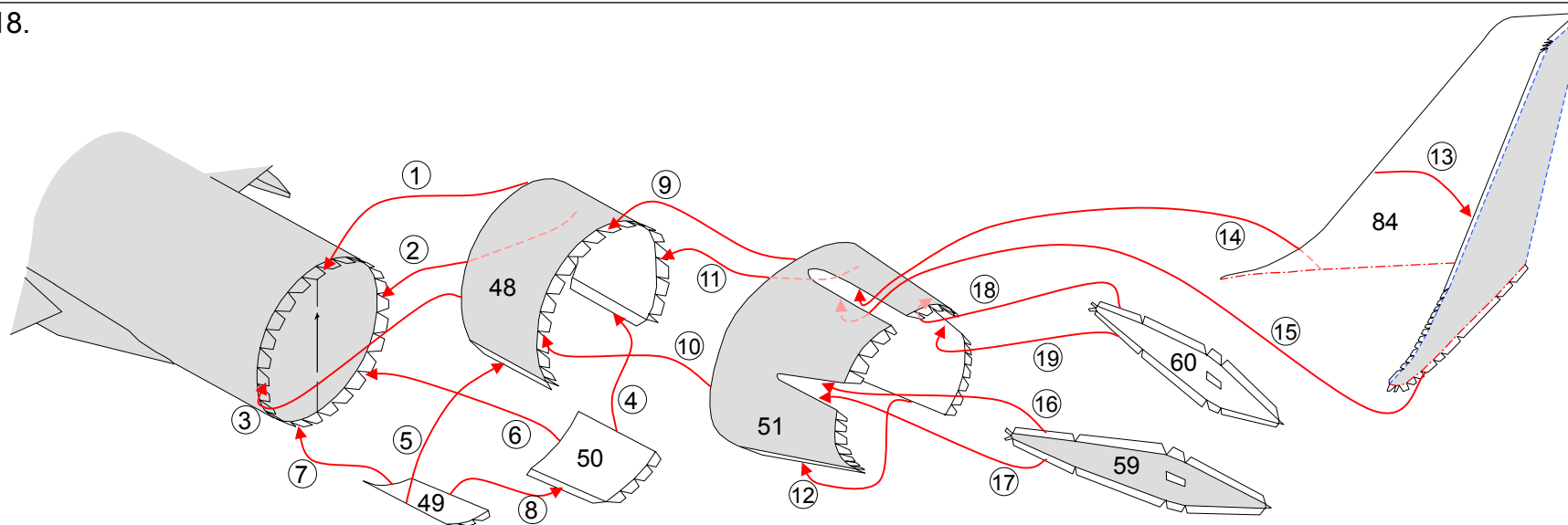




17.

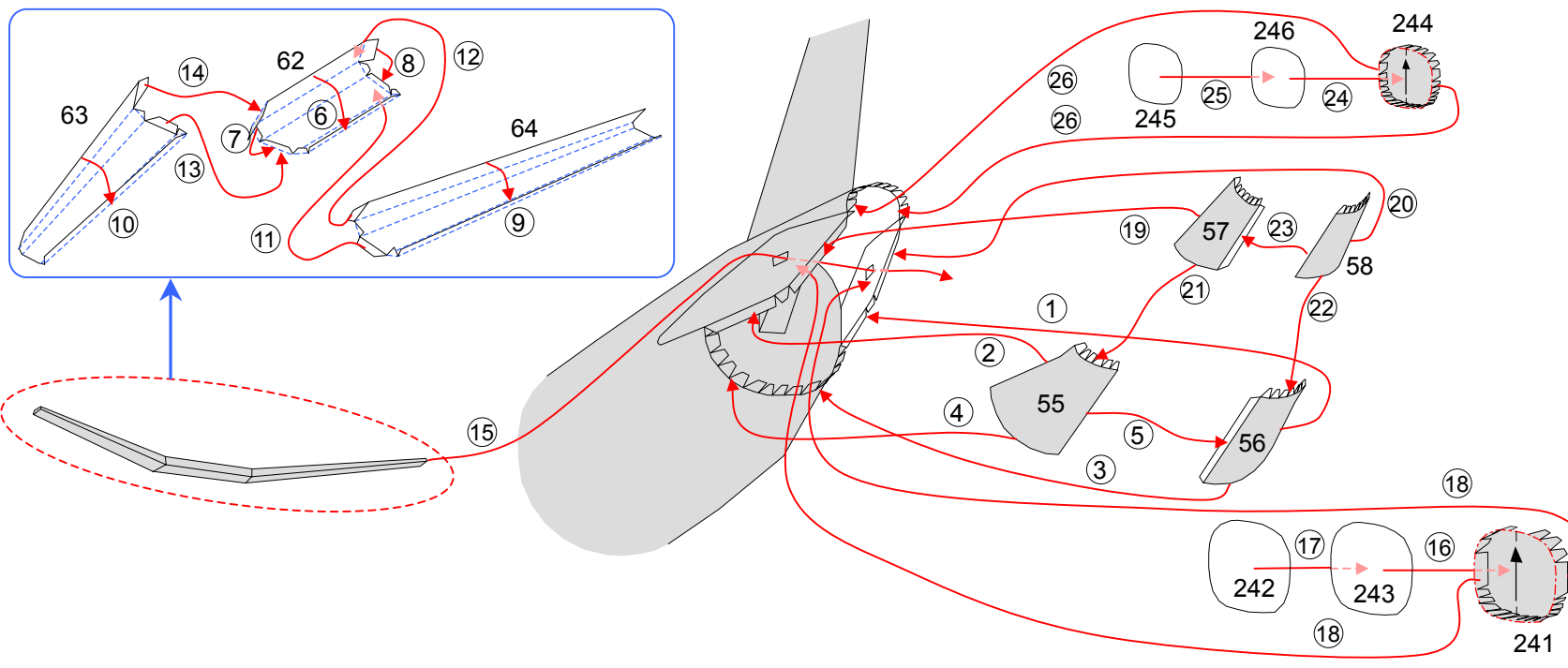


18.

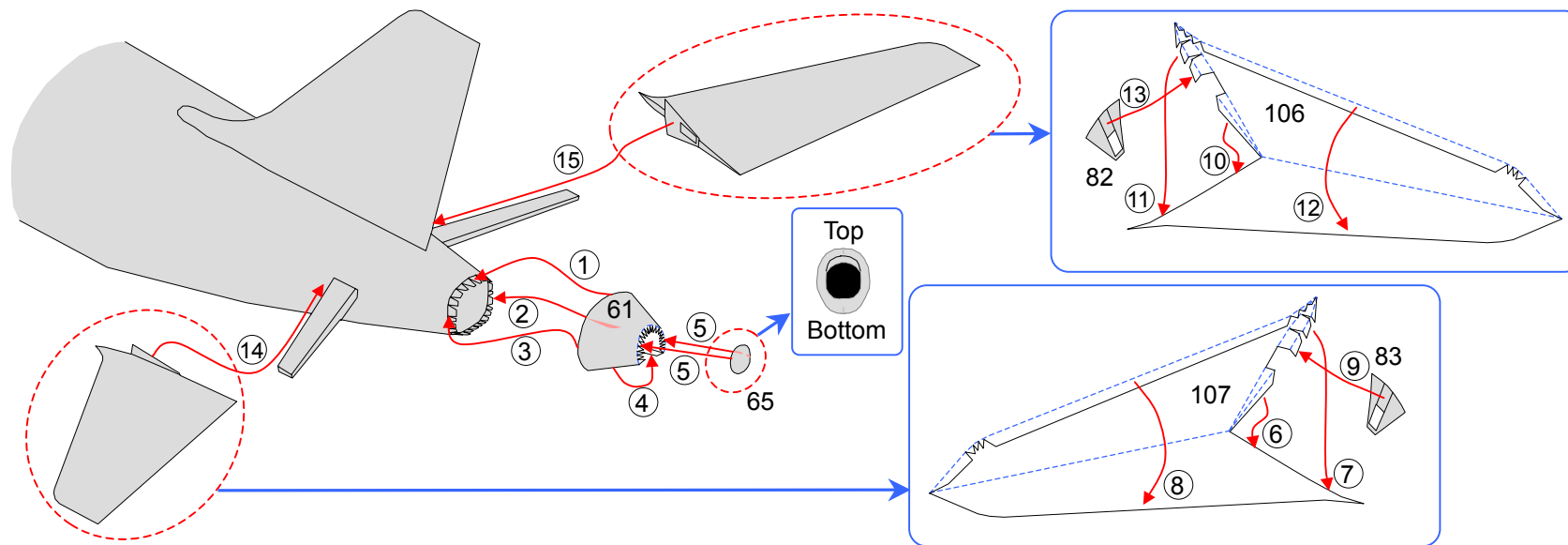




21.

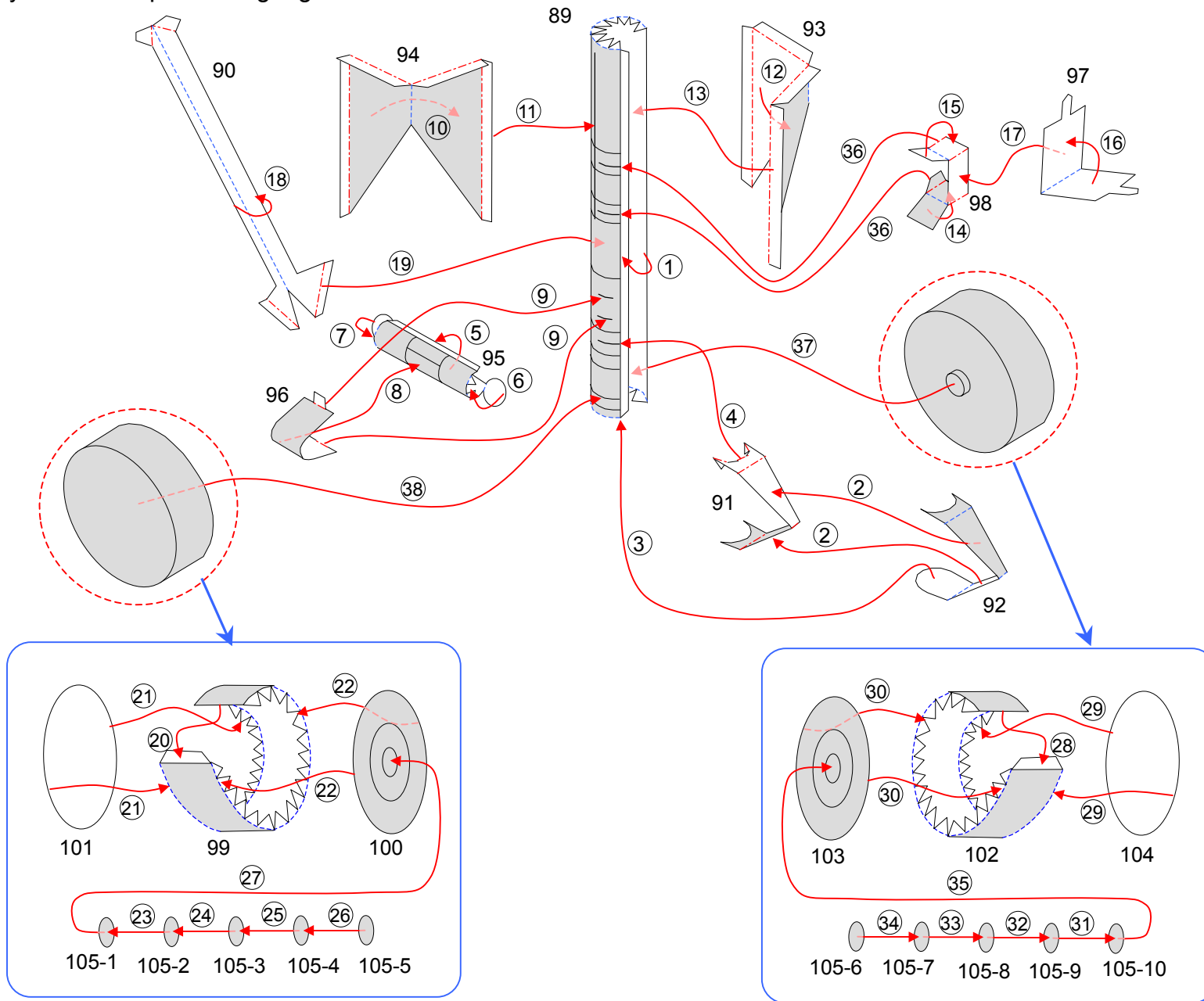


22.



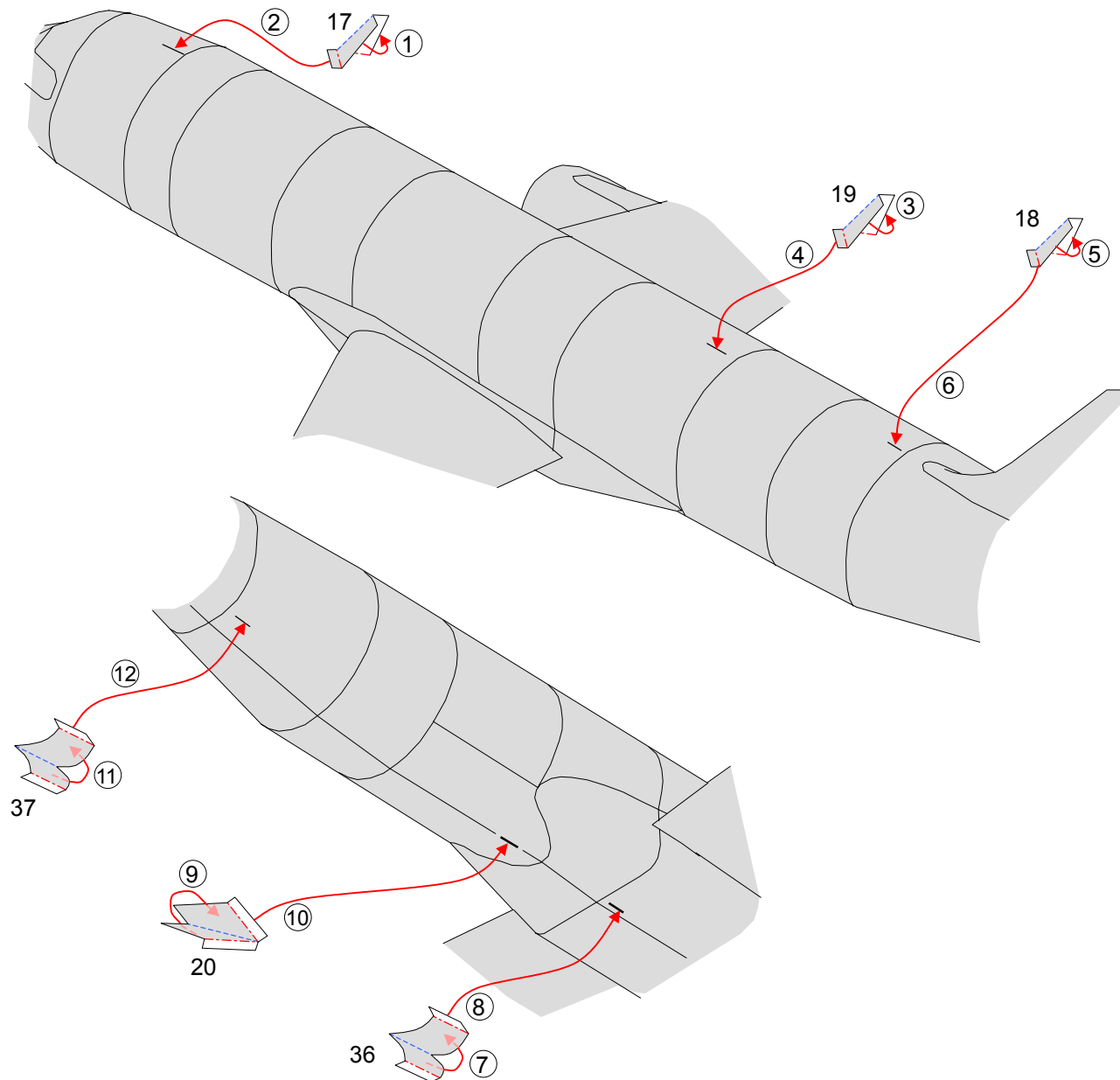


23. Carry out this step if making a grounded model



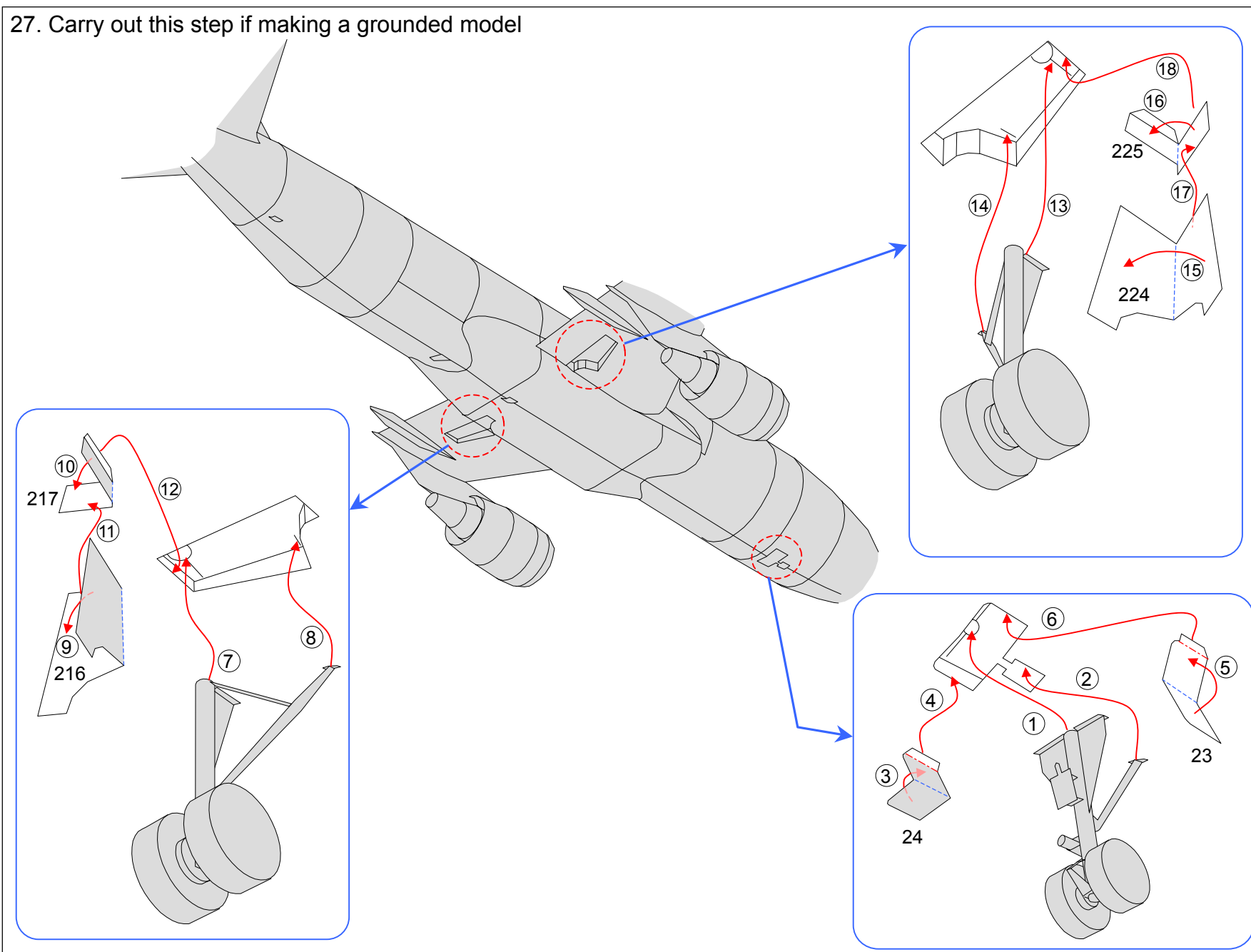


26.





27. Carry out this step if making a grounded model





28.

